

3.0 cu. ft. Single Wall Oven with Convection



- 3.0 cu. ft. Capacity
- True Convection
- EasyClean® + Self Clean
- Air Fry and Air Sous Vide
- 2 Heavy Duty Racks
- SmoothTouch™ Glass Controls
- LG ThinQ® Technology (Wi-Fi)
- ThinQ Care



COLOR AVAILABILITY

- WSED3023B – Black

CAPACITY

| | |
|---------------|-------------|
| Oven Capacity | 3.0 cu. ft. |
|---------------|-------------|

CONTROLS

| | |
|----------------------------------|-------------------------|
| Oven Control Type | SmoothTouch™ Glass |
| Display | LED |
| Language | English |
| Clock | 12 hr or 24 hr (Option) |
| Kitchen Timer | Yes |
| Temperature Unit of Measure | °F or °C |
| Cooking Complete Reminder Volume | High, Low, Off |

OVEN FEATURES

| | |
|--------------------------|-----------------------------|
| EasyClean® | Yes (10 Mins.) |
| Self Clean | Yes (1.5, 2, 2.5 Hours) |
| Variable Cleaning Time | Yes (1.5, 2, 2.5 hrs.) |
| Oven Racks | 2 Heavy Duty |
| Number of Rack Positions | 5 |
| Temperature Probe | No |
| True Convection | Yes |
| Convection Conversion | Yes |
| Convection Element | Yes (2,000 W) |
| Built-in Air Fry | Yes (Air Fry Tray Included) |
| Variable Broil | Yes (High, Med, Low) |
| Broil Element | 3,375 W |
| Broil Element Type | 2 Path (Inner & Outer) |
| Bake Element | 1,633 W |
| Bake Element Type | Hidden |
| Water Reservoir | Yes |
| Steam Sous Vide | No |
| Steam Bake | No |
| Proof | Yes |

OVEN FEATURES CONTINUED

Oven Cooking Modes

Bake / Convection Bake / Convection Roast / Broil / Air Fry / Air Sous-Vide / Warm / Proof / Frozen Meal

| | |
|---------------------------|------------------------------|
| Maintenance Modes | EasyClean®, Self Clean |
| Automatic Safety Shut-Off | After 12 Hours |
| Oven Lights | Yes |
| Variable Warm | Yes (High, Med, Low) |
| Favorites Menu | Yes 3 (Bread, Meat, Chicken) |

CONVENIENCE

| | |
|---------------|-----|
| Sabbath Mode | Yes |
| ADA Compliant | No |

SMART FEATURES

| | |
|-------------------------------------|--------------------------------|
| Wi-Fi Enabled | Yes |
| ThinQ® Technology | Yes |
| ThinQ UP | Yes |
| ThinQ Care | Yes |
| Voice Control | Google Assistant, Amazon Alexa |
| Smart Recipe (3rd Party Recipe App) | Yes |
| SmartDiagnosis™ | Yes |

FINISHES AND APPEARANCE

| | |
|---------------|-------|
| Handle Finish | Black |
|---------------|-------|

TECHNICAL SPECS

| | |
|-------------------------|--------------------------|
| Required Power Supply | 240/208V, 60Hz, 3-Wire |
| Minimum Circuit Breaker | 15.4 Amp |
| kW Rating at 240V | 3.7 kW |
| Power Outlet Location | See Installation Diagram |

INCLUDED ACCESSORIES

2 Heavy Duty Racks, Air Fry Tray

DIMENSIONS

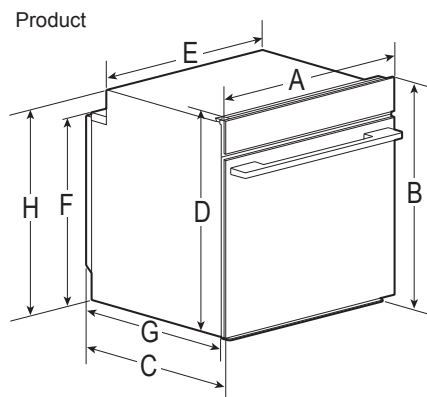
| | |
|--|--------------------------------|
| Product Dimensions (W x H x D) | 23 5/16" x 23 3/8" x 22 7/16" |
| Minimum Cutout Dimensions, Standard Installation (W x H x D) | 22 1/16" x 23 1/4" x 21 15/16" |
| Cutout Dimensions, Flush Installation (W x H x D) | 23 5/8" x 23 5/8" x 22 7/8" |
| Carton Dimensions (W x H x D) | 27 9/16" x 25 7/16" x 26" |
| Approx. Weight (Product / Carton) | 84.5 lbs. / 102.5 lbs. |

LIMITED WARRANTY

| | |
|-----------------|--------|
| Parts and Labor | 1 Year |
|-----------------|--------|

DIMENSIONS / CLEARANCES

Measure the current cutout dimensions and compare them to the cutout dimensions shown below. Little or no cabinet work may be necessary.



DIMENSIONS / CLEARANCES

| | | |
|---|--------------------------------|--------------------|
| A | Width | 23 5/16" (592 mm) |
| B | Height | 23 3/8" (594 mm) |
| C | Depth | 22 7/16" (569 mm) |
| D | Height (standard installation) | 22 13/16" (579 mm) |
| E | Width (back) | 22" (558 mm) |
| F | Height (back) | 19 13/16" (503 mm) |
| G | Depth (back) | 21 5/8" (549 mm) |
| H | Overlap of oven | 22 11/16" (576 mm) |

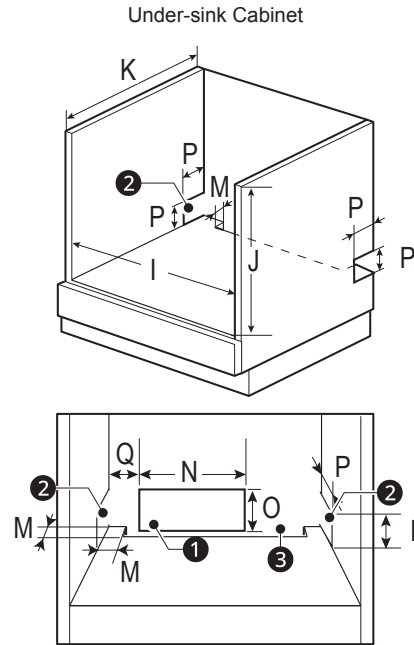
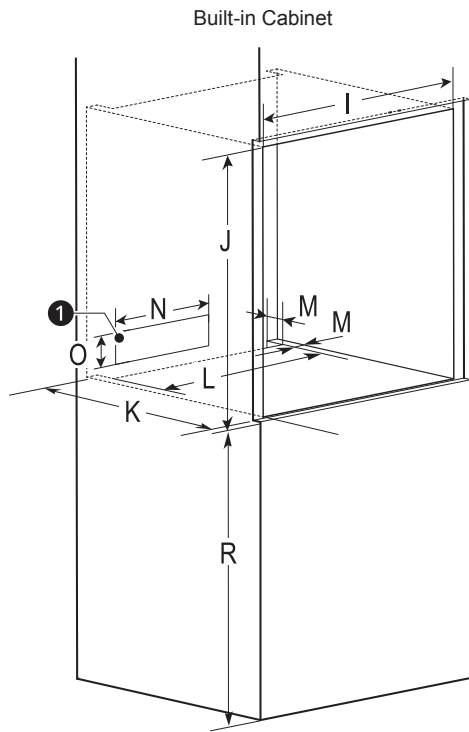
INSTALLATION NOTES

- The cabinet base platform must be able to support 190 lbs (86 kg). If the cabinet does not have a solid bottom, two braces or runners must be installed level with the bottom of the cutout to support the weight of the oven. Make sure the base is level and the front of the cabinet is square. If the cabinet base is not level, the oven racks will tend to slide out when opening the door.
- Make sure the cabinets and wall coverings around the oven can withstand the temperature (up to 194° (90°)) generated by the oven. Discoloration, delamination or melting may occur.
- Kitchen cabinets in contact with the oven must be heat resistant up to 194°F (90°C), and fronts of nearby units up to at least 158°F (70°C).
- DO NOT put any weight on the oven door. Never allow anyone to climb, sit, stand or hang on the oven door. The oven could be tipped and injury might result from contact with hot food or the oven itself.
- DO NOT block the oven air exhaust located at the bottom of the oven. Blocking the exhaust may cause cabinet damage and product malfunction.

NOTE

- Make sure the oven is flush with the front of the enclosure.
- A malfunction can occur if the steam oven is not correctly aligned. For correct functioning of the steam generator please make sure that the steam oven is horizontally level. (On some models)
- When mounting in a built-in cabinet, decide the dimension of the built-in cabinet's depth so that the offset between the door glass face and front surface of the left and right sides of the cabinet will be less than 1/16" (1 mm).
- Remove the cable ties before installing the product. Make sure the base is level and the front of the cabinet is square. If the cabinet base is not level, the oven glides will tend to slide out when opening the door.
- To lift the oven, use the openings on the side.
- Do not install a dishwasher under the oven.
- Do not install the product on the floor.

DIMENSIONS / CLEARANCES

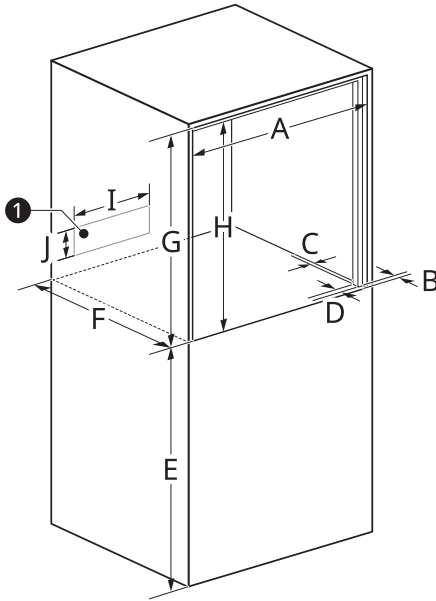


| | | |
|---|-----------------------------|--|
| ❶ | Back of the kitchen cabinet | If desired, create openings at ❶ and ❷ to allow the power lines to pass through the cabinet. |
| ❷ | Side of the kitchen cabinet | |
| ❸ | Ventilation space | |

| LIST | | DIMENSIONS | |
|------|--|---|-------------------------|
| | | BUILT-IN CABINET | UNDER-SINK CABINET |
| I | Cutout width | 22 1/16" (560 mm) Min. 22 3/16" (563 mm) Max. | 22 1/16" (560 mm) Min. |
| J | Cutout height | 23 1/4" (590 mm) Min. 23 3/8" (593 mm) Max. | 23 5/8" (600 mm) Min. |
| K | Cutout depth | 21 15/16" (556 mm) Min. | 21 15/16" (556 mm) Min. |
| L | Width (ventilation) | 18 1/8" (460 mm) | 18 1/8" (460 mm) |
| M | Distance (ventilation) | 2" (50 mm) | 2" (50 mm) |
| N | Width (back of the kitchen cabinet) | 12 5/8" (320 mm) | 12 5/8" (320 mm) |
| O | Height (back of the kitchen cabinet) | 2 3/4" (70 mm) | 4 3/4" (120 mm) |
| P | Distance (side of the kitchen cabinet) | — | 3 15/16" (100 mm) |
| Q | Distance from side wall to cabinet | 2 3/4" (70 mm) | 2 3/4" (70 mm) |
| R | Cutout location from floor | 27 9/16" (700 mm) (19 11/16" ~ 35 7/16") (500 ~ 900 mm) | — |

DIMENSIONS / CLEARANCES

Cutout Dimensions (Flush)



| | | |
|----------|-----------------------------|---|
| 1 | Back of the kitchen cabinet | If desired, create an opening at 1 to allow the power lines to pass through the cabinet. |
|----------|-----------------------------|---|

DIMENSIONS / CLEARANCES

| | | |
|---|--------------------------------------|-------------------|
| A | Cutout width | 23 5/8" (600 mm) |
| B | Cleat inset from front of cabinet | 13/16" (20 mm) |
| C | Cleat width | 13/16" (20 mm) |
| D | Cleat depth | 1 3/16" (30 mm) |
| E | Bottom of cutout from floor | 27 9/16" (700 mm) |
| F | Cutout depth | 22 7/8" (580 mm) |
| G | Cutout height | 23 5/8" (600 mm) |
| H | Cleat (spacer) height | 22 7/8" (580 mm) |
| I | Width (back of the kitchen cabinet) | 12 5/8" (320 mm) |
| J | Height (back of the kitchen cabinet) | 2 13/16" (70 mm) |